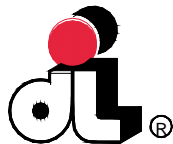


INSTANT



PARTS MANUAL

AMWP11.5-8100
SELF-PROPELLED MAST LIFTS



WARNING

THE MANUFACTURER SHALL NOT BE HELD LIABLE IN CASE OF FAULTS OR ACCIDENTS DUE TO NEGLIGENCE, INCAPACITY, INSTALLATION BY UNQUALIFIED TECHNICIANS AND IMPROPER USE OF THE MACHINE

DO NOT OPERATE THIS MACHINE UNTIL YOU READ AND UNDERSTAND ALL THE DANGERS, WARNINGS AND CAUTIONS IN THIS MANUAL



Table of Contents

Foreword..... 1

Integrated Assembly

 Figure 1-1 Integrated Assembly1-1

Chassis

 Figure 2-1 Chassis Assembly2-1

 Figure 2-2 Steering Assembly2-3

 Figure 2-3 Safety Assembly2-5

 Figure 2-4 Wheel Assembly2-8

Bolt Sleeve

 Figure 3-1 Bolt Sleeve Assembly3-1

 Figure 3-2 Bolt Sleeve 1 Assembly3-3

 Figure 3-3 Bolt Sleeve 2 Assembly3-5

 Figure 3-4 Bolt Sleeve 3 Assembly3-7

 Figure 3-5 Bolt Sleeve 4 Assembly3-10

 Figure 3-6 Bolt Sleeve 5 Assembly3-12

Platform

 Figure 4-1 Platform Assembly4-1

Hydraulic Ram

 Figure 5-1 Hydraulic Ram Assembly.....5-1

Foreword

We are very appreciated for your interesting with Dingli machine and choosing it for your application. Our priority above all is you can use the machine safely for your application and you can benefit from the Dingli machine mostly. For these reason we hope you can:

1. Comply with employer, job site and local governmental rules.
2. The manual provides very important information about the machine. It is essential to the owner or the operator who use the machine. So we strongly recommend that you should read the manual thoroughly before attempting to do anything with the machine, so as to understand and follow the instruction or other information in the manual, especially the safety information.
3. Dingli cannot anticipate every possible circumstance that might involve a potential hazard. The warnings in this publication and on the product are, therefore, not all inclusive. If a tool, procedure, work method or operating technique that is not specifically recommended by Dingli is used, you must satisfy yourself that it is safe for you and for others. You should also ensure that the product will not be damaged or be made unsafe by the operation, lubrication, maintenance or repair procedure that you choose.
4. The information, specifications, and illustrations in this publication are on the basis of information that was available at the time that the publication was written. Due to the continuous improvements, Dingli reserve the rights to make the specifications changes without prior notification. Please contact with Dingli dealers or Dingli distributors to obtain the complete and most current information.
5. Any one who read the manual or used the machine, is encouraged to notify Dingli Machinery Co, Ltd of a ny errors or send in suggestions for improvement. All communications will be carefully considered for future printings of this and other manuals, certainly if you have any question about the machine, please contact with our team by dialing technical support phone, sending email, or any methods you want, etc. Our contact information as bellow:

Contact us:

Importer

Enebakkveien 441 B
1290 OSLO, Norway

Tel: 23 19 11 00

Fax: 23 19 11 01

E-mail: post@instant.no

Web: www.instant.no
www.dingli.eu

Manufacturer's address

ZheJiang Dingli Machinery Co.,Ltd.
1255 Baiyun South Road,Leidian Town,
Deqing, Zhejiang, China

Integrated Assembly

Section 1

Figure 1-1 Integrated Assembly

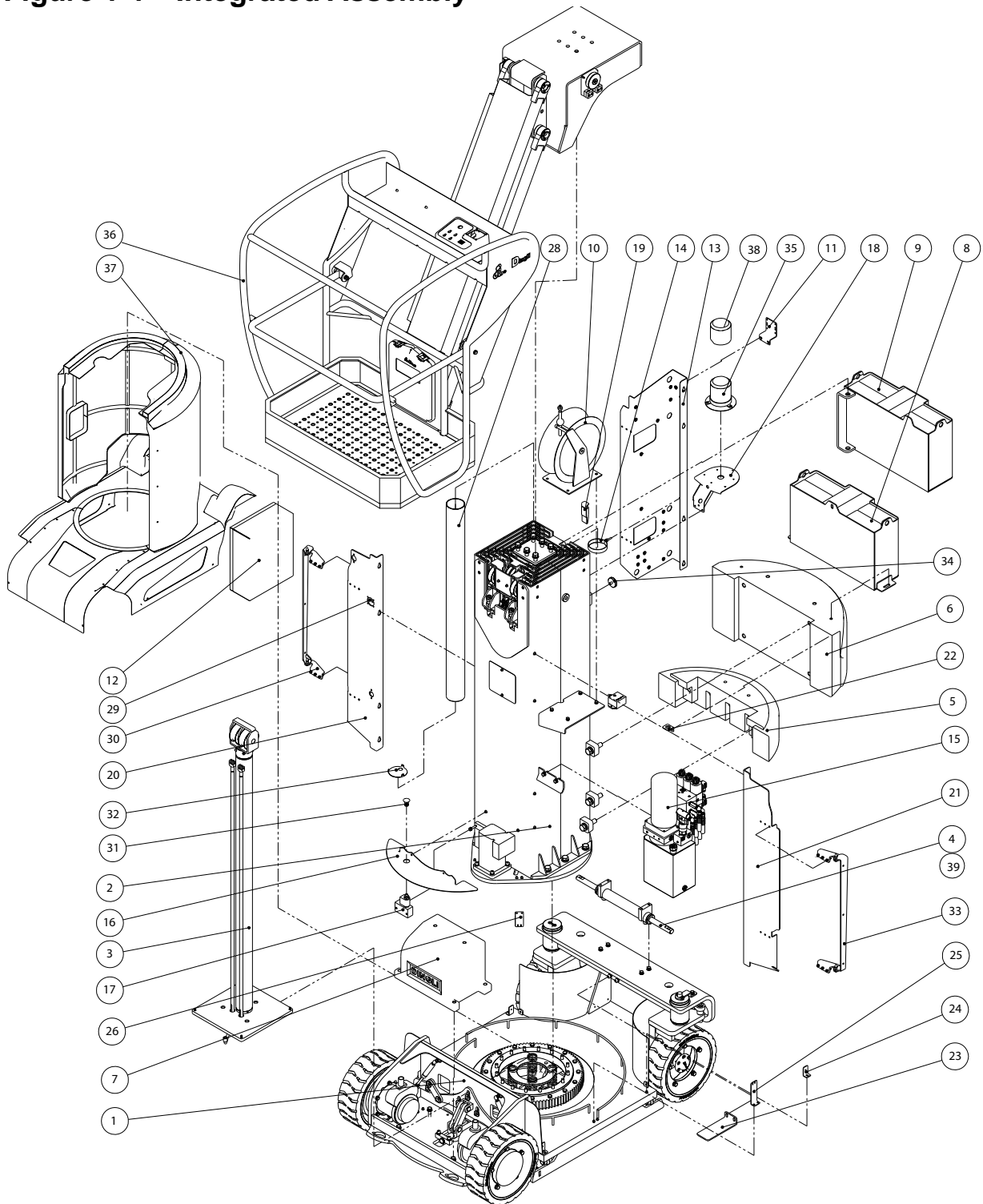


Figure 1-1 Integrated Assembly

Item	Part Number	Description	Qty.	Remark
1	AMWP81115-110000	Classis Assembly	1	
2	AMWP81115-320000	Bolt Sleeve Assembly	1	
3	AMWP81115-531000	Lifting Hydraulic Ram Assembly	1	
4	AMWP81115-532000	Steering Hydraulic Ram Assembly	1	
5	AMWP81115-100001	Block 1	1	
6	AMWP81115-100002	Block 2	1	
7	AMWP81115-100004	Block 4	1	
8	AMWP81115-100100	Underside Battery Box Assembly	1	
9	AMWP81115-100200	Upper Battery Box Assembly	1	
10	AMWP81115-100500	Vitta Canister	1	
11	AMWP81115-100007	Journey Switch Seat	1	
12	AMWP81115-100600	Electrical Box Assembly	1	
13	AMWP81115-100300	Left Bend Plate Weldment	1	
14	AMWP81115-100400	PVC Tube-holding Hoop	2	
15		Formosa Pumping Station	1	
16	AMWP81115-100008	Bottom Cover Board	1	
17		Sleeve Emergency Falling Valve	1	
18	AMWP81115-100009	Frequency Flashing Lamp Holder	1	
19	AMWP81115-100010	Lock Tongue	1	
20	AMWP81115-100011	Left Plate	1	
21	AMWP81115-100012	Right Plate	1	
22	AMWP81115-100013	Handle Seat	1	
23	AMWP81115-100014	Black Below Cover Plate	1	
24	AMWP81115-100015	Below Cover Plate	4	
25	AMWP81115-100016	Towline Collect Plate 1	1	
26	AMWP81115-100017	Towline Collect Plate 2	1	
27	AMWP81115-100018	Safety Journey Switch Seat	1	
28	AMWP81115-100006	Line Sheath PVC Tube	1	
29	JCPT5007MQ-114011	Half-disk	2	

Figure 1-1 Integrated Assembly

Item	Part Number	Description	Qty.	Remark
30	AMWP81115-100900	Hinge Assembly	1	
31	AMWP81115-100005	Sleeve Emergency Falling Handle	1	
32	AMWP81115-100021	Line Sheath PVCTube Support	1	
33	AMWP81115-100900a	Hinge Assembly	1	
34	AMWP81115-100700	Lock Tongue Block	1	
35		Electrical Assembly	1	
36	AMWP81115-410000	Swing Flat Assembly	1	
37	AMWP81115-171000	Iron Sculpt Assembly	1	
38	JCPT1523RT-10350	Frequency Flashing Lamp Shield	1	
39	CK25	Dust-Proof Seal d25	1	
	9930300028-03	Wear Guides 35X25X1.5	1	
	RUJ000250-Z94	U-Cup d25	1	
	PT0200400-T46N	Seal D40	1	
	GB1235-76	O Ring 40x3.1	2	

Section
2

Chassis

Figure 2-1 Chassis Assembly

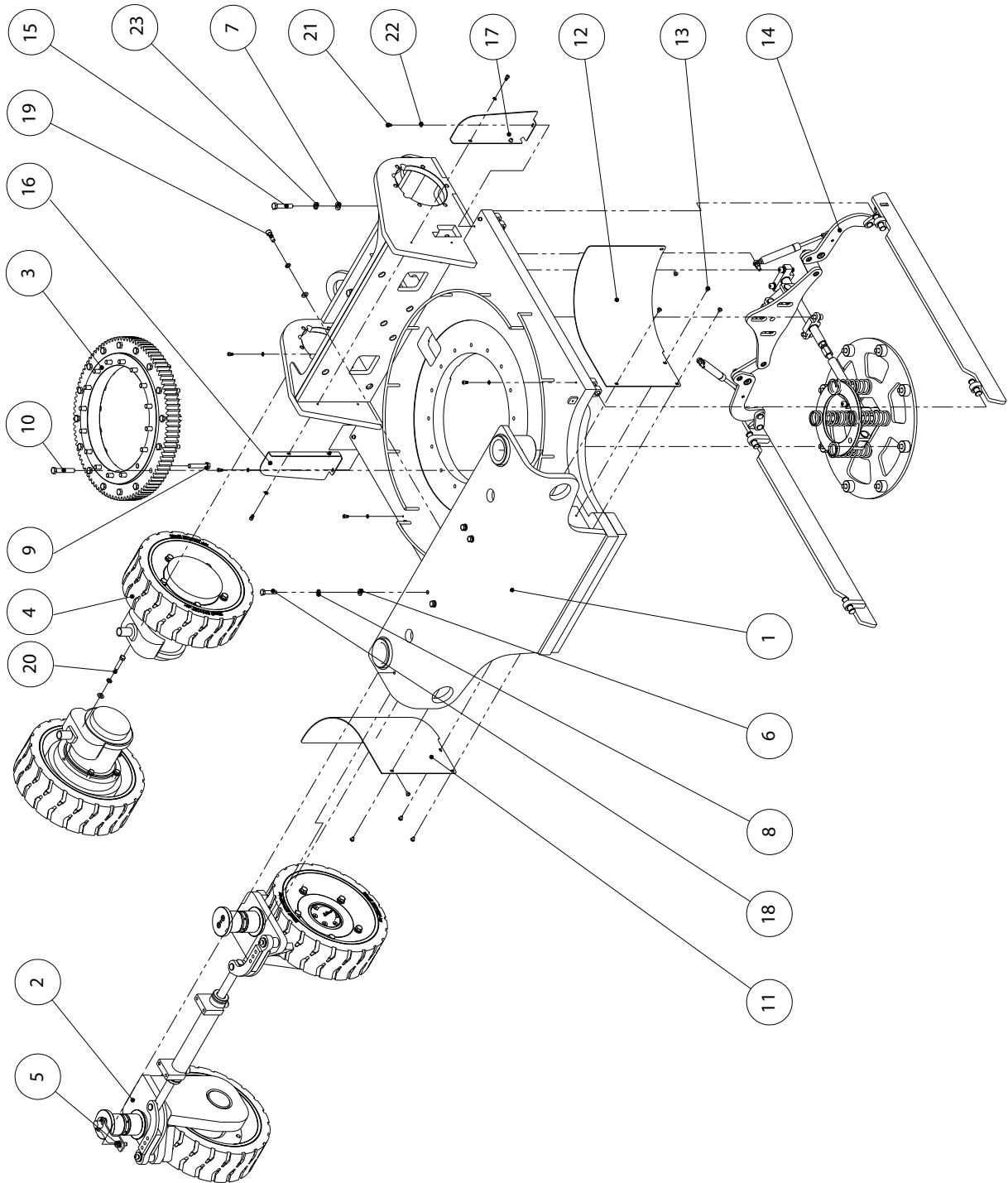


Figure 2-1 Chassis Assembly

Item	Part Number	Description	Qty.	Remark
1	AMWP81115-111000	Chassis Weldment	1	
2	AMWP81115-113000	Steering Assembly	1	
3	JB/T2300-1999	Slew Support 011.20.400.401	1	
4	AMWP81115-118000	Wheel Assembly	1	
5	GB/T 5781-2000	Bolt M10×30	1	
6	GB/T 97.1-2002	Washer 10	19	
7	GB/T 97.1-2002	Washer 12	4	
8	GB/T 93-1987	Spring Washer 10	19	
9	GB/T5785-2000	Bolt M12×1.5×65	16	
10	GB/T5785-2000	Bolt M12×1.5×70	16	
11	AMWP81115-110001	Rear Cover	1	
12	AMWP81115-110001a	Rear Cover	1	
13	GB/T 818-2000	Bolt M6×8	8	
14	AMWP81115-114000	Safety Assembly	1	
15	GB/T 5781-2000	Bolt M12×60	4	
16	AMWP81115-110002	Front-wheel Cover	1	
17	AMWP81115-110002a	Front-wheel Cover	1	
18	GB/T 5781-2000	Bolt M10×45	4	
19	GB/T 70.1-2000	Bolt M10×30	2	
20		HFBOLD 0.375-24x1.75x1-N	12	
21	GB/T 70.1-2000	Bolt M6×10	16	
22	GB/T 861.2-1987	Washer 6	16	
23	GB/T 93-1987	Spring Washer 12	4	

Figure 2-2 Steering Assembly

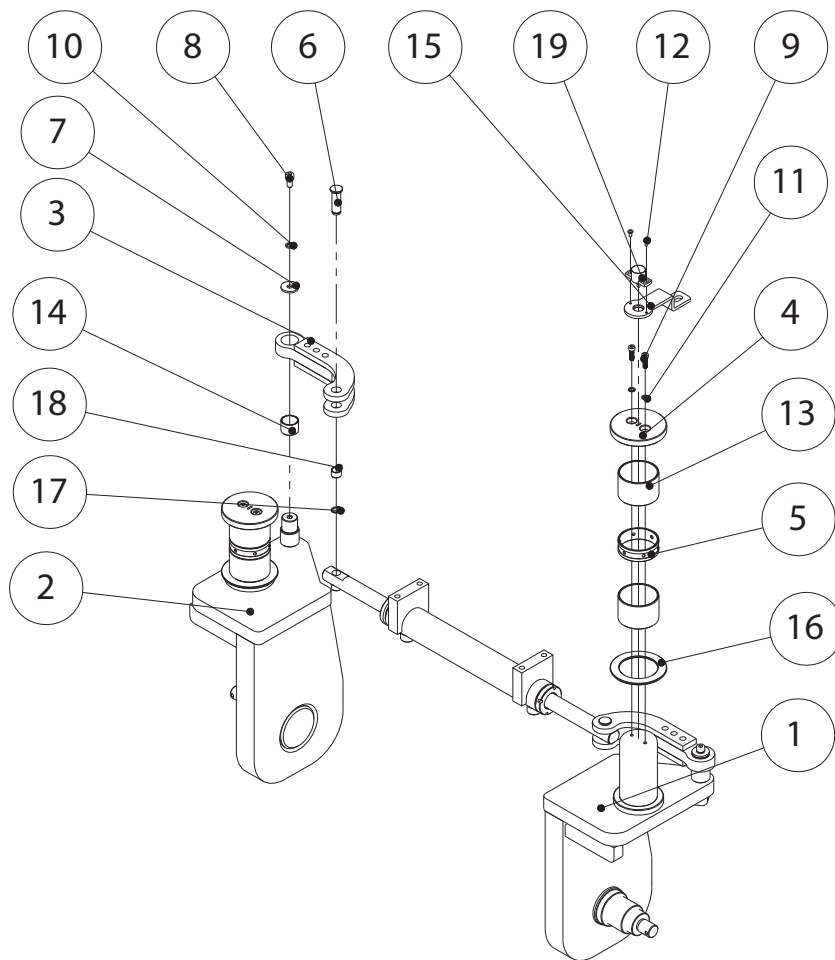


Figure 2-2 Steering Assembly

Item	Part Number	Description	Qty.	Remark
1	AMWP81115-113100	Steering Wheel Support Weldment	1	
2	AMWP81115-113100a	Steering Wheel Support Weldment	1	
3	AMWP81115-113200	Steering Connecting Weldment	2	
4	AMWP81115-113001	Steering Wheel Cover	2	
5	AMWP81115-113002	Steering Partion	2	
6	AMWP81115-113003	Steering Connect Axis	2	
7	GB/T 5287-1985	Washer 8	2	
8	GB/T 70.1-2000	Bolt M8×16	2	
9	GB/T 70.1-2000	Bolt M6×20	4	
10	GB/T 93-1987	Spring Washer 8	2	
11	GB/T 861.2-1987	Washer 10	4	
12	GB/T 818-2000	Bolt M4×8	2	
13		Bearing (65X60X45)	4	
14		Bearing (28X25X20)	2	
15	AMWP81115-113004	Sensor Support	1	
16		Washer (Φ90XΦ62X3)	2	
17	GB/T 894.1-1986	Cover Circle 14	2	
18		Bearing (16X14X10)	4	
19		3358A MB Angle Localizer	1	

Figure 2-3 Safety Assembly

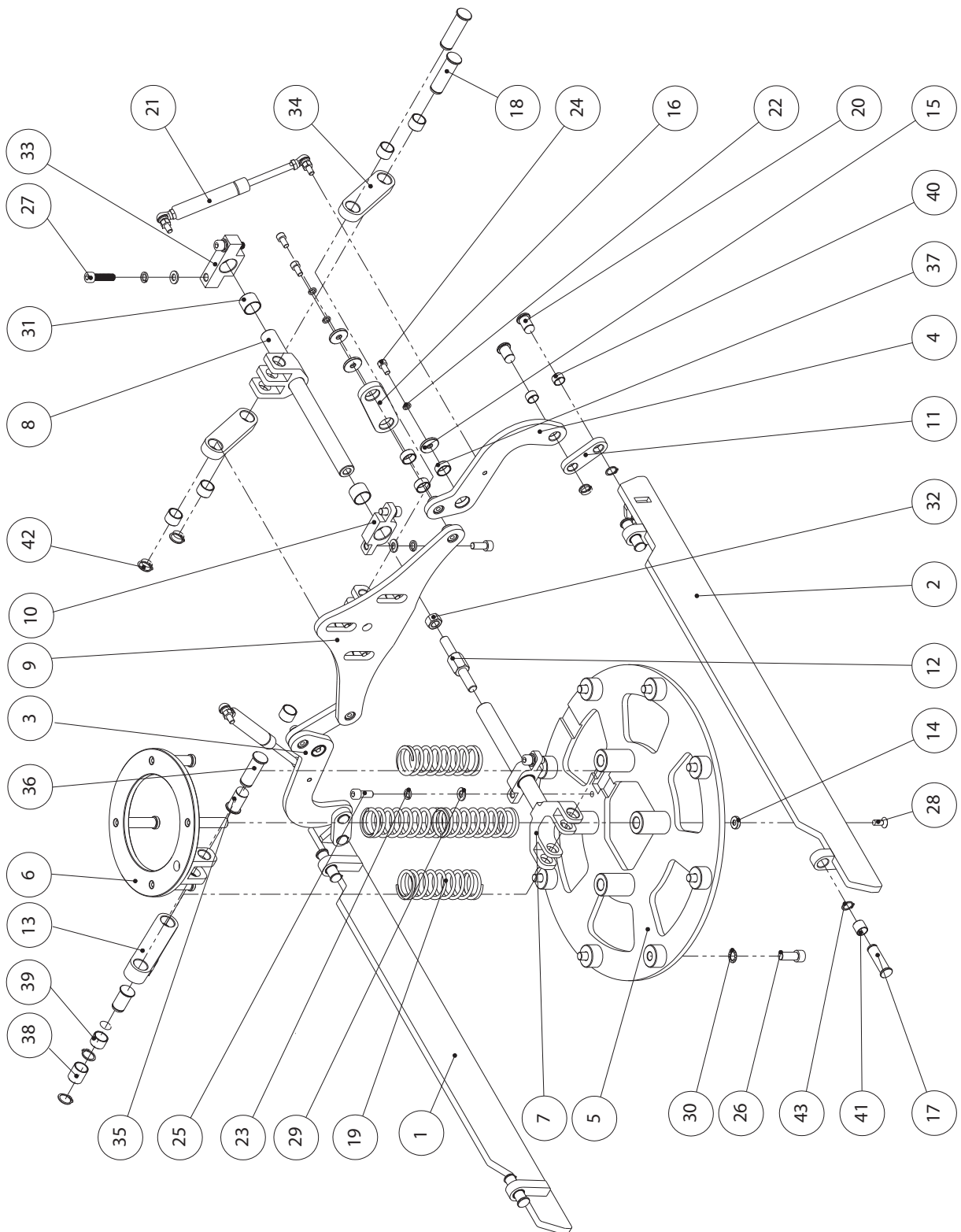


Figure 2-3 Safety Assembly

Item	Part Number	Description	Qty.	Remark
1	AMWP81115-114100	Plate Weldment	1	
2	AMWP81115-114100a	Plate Weldment	1	
3	AMWP81115-114200	Plate Weldment	1	
4	AMWP81115-114200a	Plate Weldment	1	
5	AMWP81115-114300	Seat Weldment	1	
6	AMWP81115-114400	Plate Weldment	1	
7	AMWP81115-114500	Screw 1 Weldment	1	
8	AMWP81115-114600	Screw 2 Weldment	1	
9	AMWP81115-114700	Plate Weldment	1	
10	AMWP81115-114001	Support	2	
11	AMWP81115-114002	Plate	2	
12	AMWP81115-114003	Screw	1	
13	AMWP81115-114004	Screw	1	
14	AMWP81115-114005	washer 1	4	
15	AMWP81115-114006	washer 2	9	
16	AMWP81115-114007	Plate	2	
17	AMWP81115-114008	Collecting Rod 1	4	
18	AMWP81115-114009	Collecting Rod 2	2	
19	AMWP81115-114010	Spring	4	
20	AMWP81115-114011	Collecting Rod 3	4	
21		GasSpring YQ10/22-239-595(O-O)400	2	
22	GB/T 93-1987	Spring Washer 8	9	
23	GB/T 93-1987	Spring Washer 10	6	
24	GB/T 70.1-2000	Bolt M8×16	9	
25	GB/T 70.1-2000	Bolt M6×50	4	
26	GB/T 70.1-2000	Bolt M6×30	8	
27	GB/T 70.1-2000	Bolt M2.5×12	2	
28	GB/T 2673-1986	Bolt M8×30	4	

Figure 2-3 Safety Assembly

Item	Part Number	Description	Qty.	Remark
29	GB/T 97.1-2002	Washer 12	6	
30	GB/T 861.2-1987	Washer 6	8	
31		Bearing (28X25X20)	3	
32	GB/T 6170-2000	Nut M14	1	
33	AMWP81115-114012	Bush	1	
34	AMWP81115-114013	Plate 2	2	
35	AMWP81115-114014	Collecting Rod 4	2	
36	AMWP81115-114015	Collecting Rod 5	1	
37		Bearing (23X20X10)	6	
38		Bearing (23X20X25)	1	
39		Bearing (23X20X16)	6	
40		Bearing (18X16X10)	4	
41		Bearing (18X16X16)	4	
42	GB/T 894.1-1986	Cover Circle 20	5	
43	GB/T 894.1-1986	Cover Circle 16	8	

Figure 2-4 Wheel Assembly

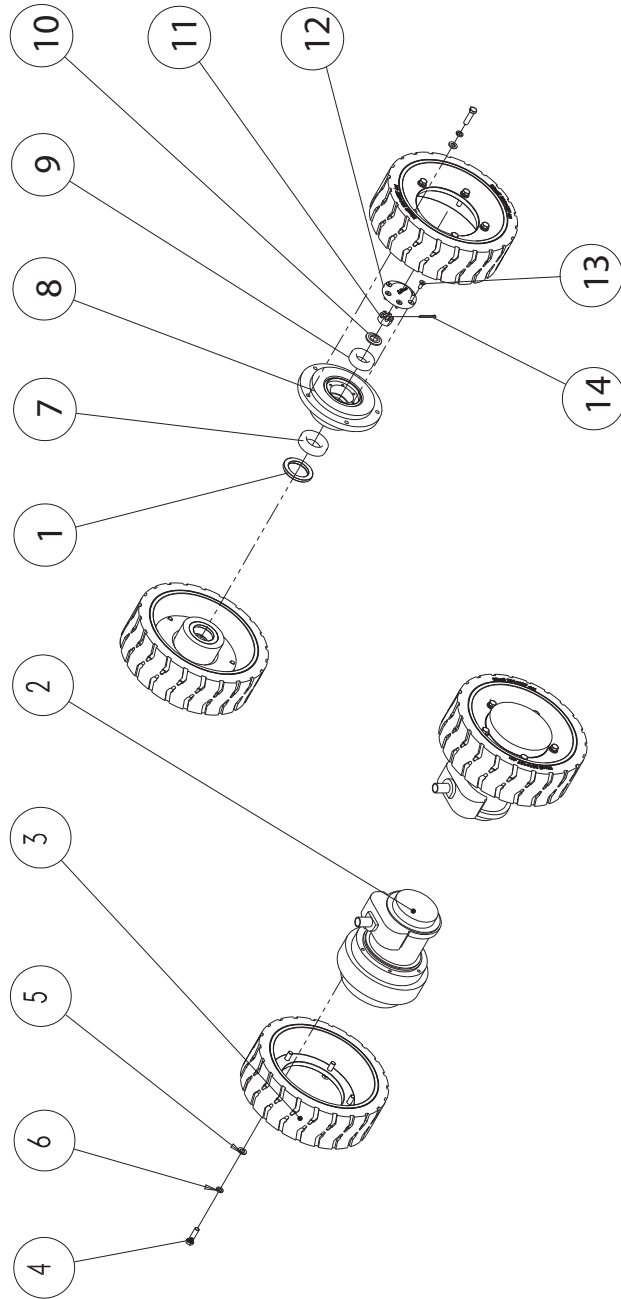


Figure 2-4 Wheel Assembly

Item	Part Number	Description	Qty.	Remark
1	GB9877.1-88	Closing Sheet B60858	2	
2	WD01XXRAS3HIN5-DC1	Drive Electromotor	2	
3	JCPT1212DC-10102	Wheel	4	
4	GB/T 5786-2000	Bolt M12×1.5×45	20	
5	GB/T 97.1-2002	Washer 12	20	
6	GB/T 93-1987	Spring Washer 12	20	
7	GB297-84	Taper Roller Bearing 2007110	2	
8	AMWP81115-118110	Steering Wheel Weldment	2	
9	GB297-84	Taper Roller Bearing 2007108	2	
10	JCPT1212DC-10101	Washer	2	
11	GB/T 9459-1988	Nut M22×1.5	2	
12	JCPT1212DC-10103	End Cap	2	
13	GB/T 70.3-2000	Bolt M8×20	12	
14	GB/T 91-2000	Pin 5×40	2	

Bolt Sleeve

Section
3

Figure 3-1 Bolt Sleeve Assembly

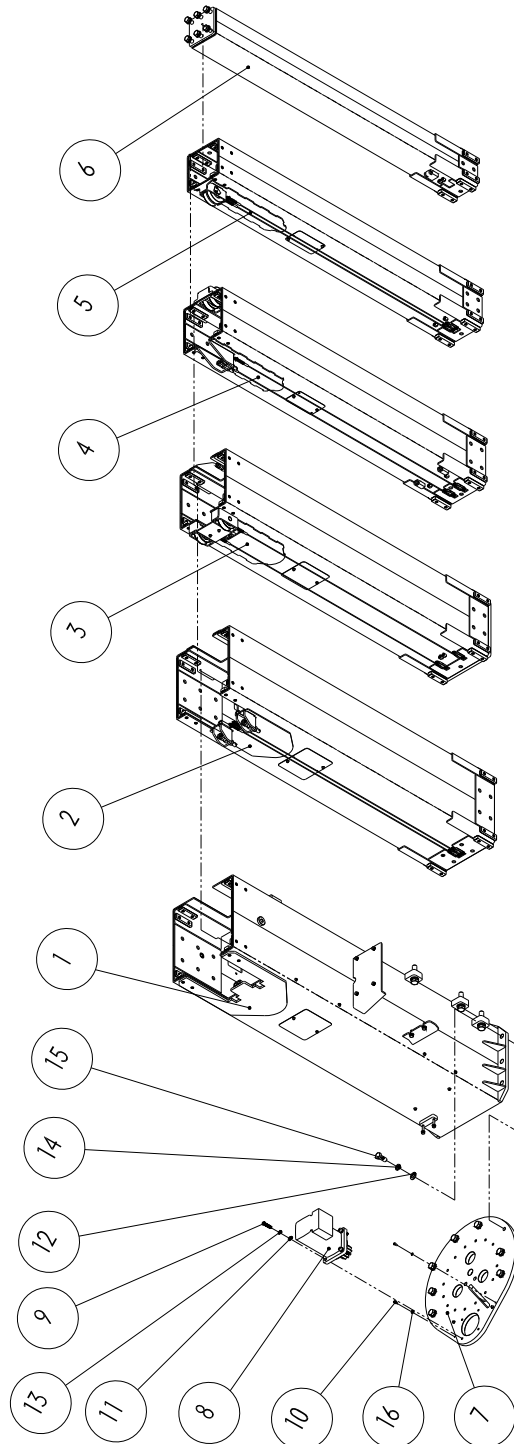


Figure 3-1 Bolt Sleeve Assembly

Item	Part Number	Description	Qty.	Remark
1	AMWP81115-321000	Bolt Sleeve 1 Assembly	1	
2	AMWP81115-322000	Bolt Sleeve 2 Assembly	1	
3	AMWP81115-323000	Bolt Sleeve 3 Assembly	1	
4	AMWP81115-324000	Bolt Sleeve 4 Assembly	1	
5	AMWP81115-325000	Bolt Sleeve 5 Assembly	1	
6	AMWP81115-326000	Bolt Sleeve 6 Assembly	1	
7	AMWP81115-327000	Bolt Sleeve base Weldment	1	
8		Slewing Motor	1	
9	GB/T 70.1-2000	Bolt M10x40	4	
10	GB/T 70.1-2000	Bolt M6x12	4	
11	GB/T 97.1-2002	Washer 10	4	
12	GB/T 97.1-2002	Washer 18	8	
13	GB/T 93-1987	Spring Washer 10	4	
14	GB/T 93-1987	Spring Washer 18	8	
15	GB/T 5781-2000	Bolt M18x40	8	
16	GB/T 861.2-1987	Washer 6	4	

Figure 3-2 Bolt Sleeve 1 Assembly

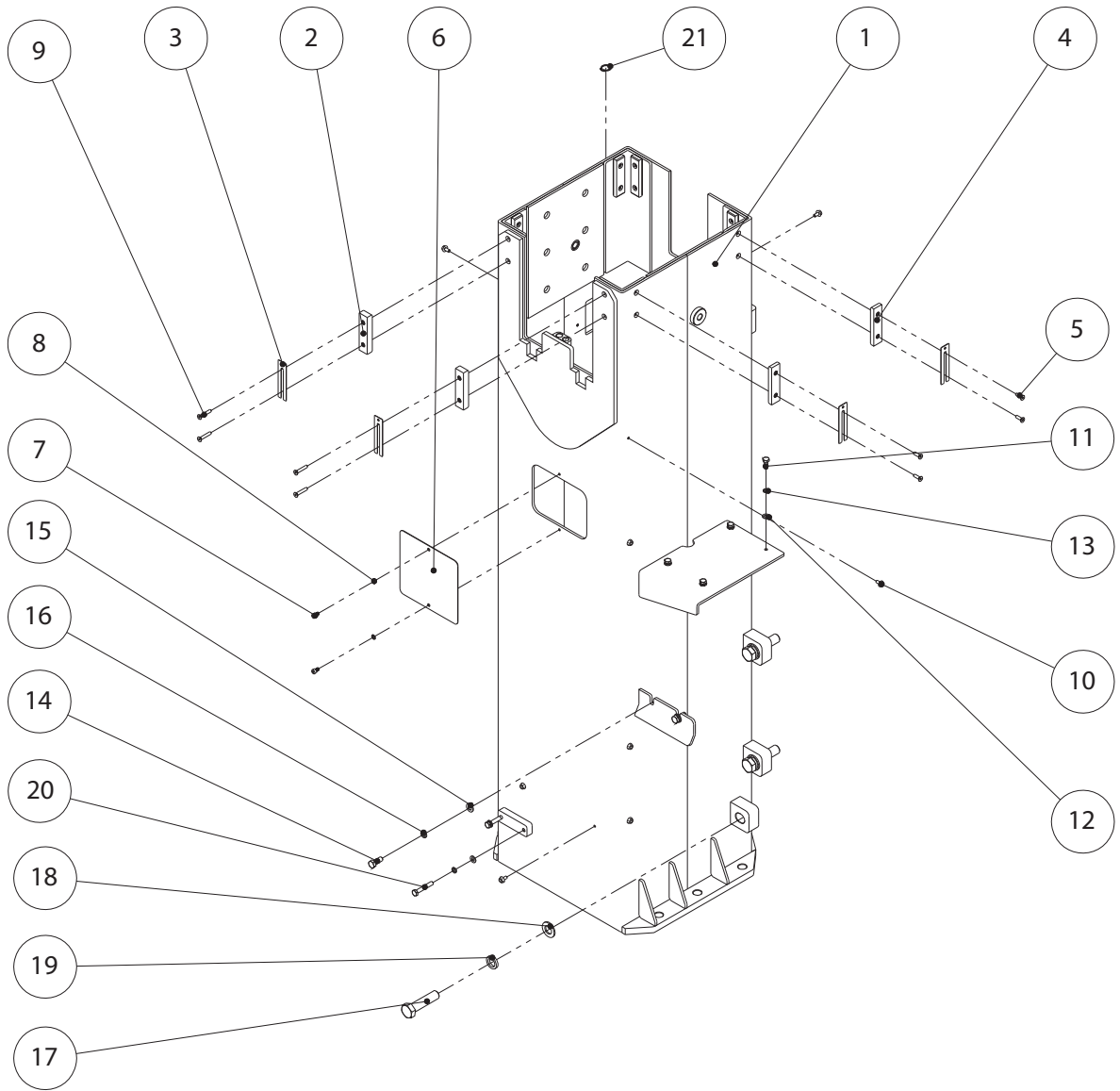


Figure 3-2 Bolt Sleeve 1 Assembly

Item	Part Number	Description	Qty.	Remark
1	AMWP81115-321100	Bolt Sleeve 1 Weldment	1	
2	AMWP81115-321200	Bolt Sleeve 1 Upper Block1	2	
3	AMWP81115-321001	Bolt Sleeve 1 Block Washer	8	
4	AMWP81115-321300	Bolt Sleeve 1 Upper Block 2	6	
5	GB/T 70.3-2000	Bolt M6×20	12	
6	AMWP81115-321002	Bolt Sleeve 1 Envelop Plate	1	
7	GB/T 70.1-2000	Bolt M6×10	2	
8	GB/T 861.2-1987	Washer 6	2	
9	GB/T 70.3-2000	Bolt M6×35	4	
10	GB/T 5789-1986	Bolt AM6×12	17	
11	GB/T 5781-2000	Bolt M8×20	4	
12	GB/T 97.1-2002	Washer 8	6	
13	GB/T 93-1987	Spring Washer 8	6	
14	GB/T 5781-2000	Bolt M10×25	2	
15	GB/T 97.1-2002	Washer 10	2	
16	GB/T 93-1987	Spring Washer 10	2	
17	GB/T 5780-2000	Bolt M20×80	6	
18	GB/T 97.1-2002	Washer 20	6	
19	GB/T 93-1987	Spring Washer 20	6	
20	GB/T 5780-2000	Bolt M8×50	2	
21	GB/T 894.2-1986	Cover Circle 20	2	

Figure 3-3 Bolt Sleeve 2 Assembly

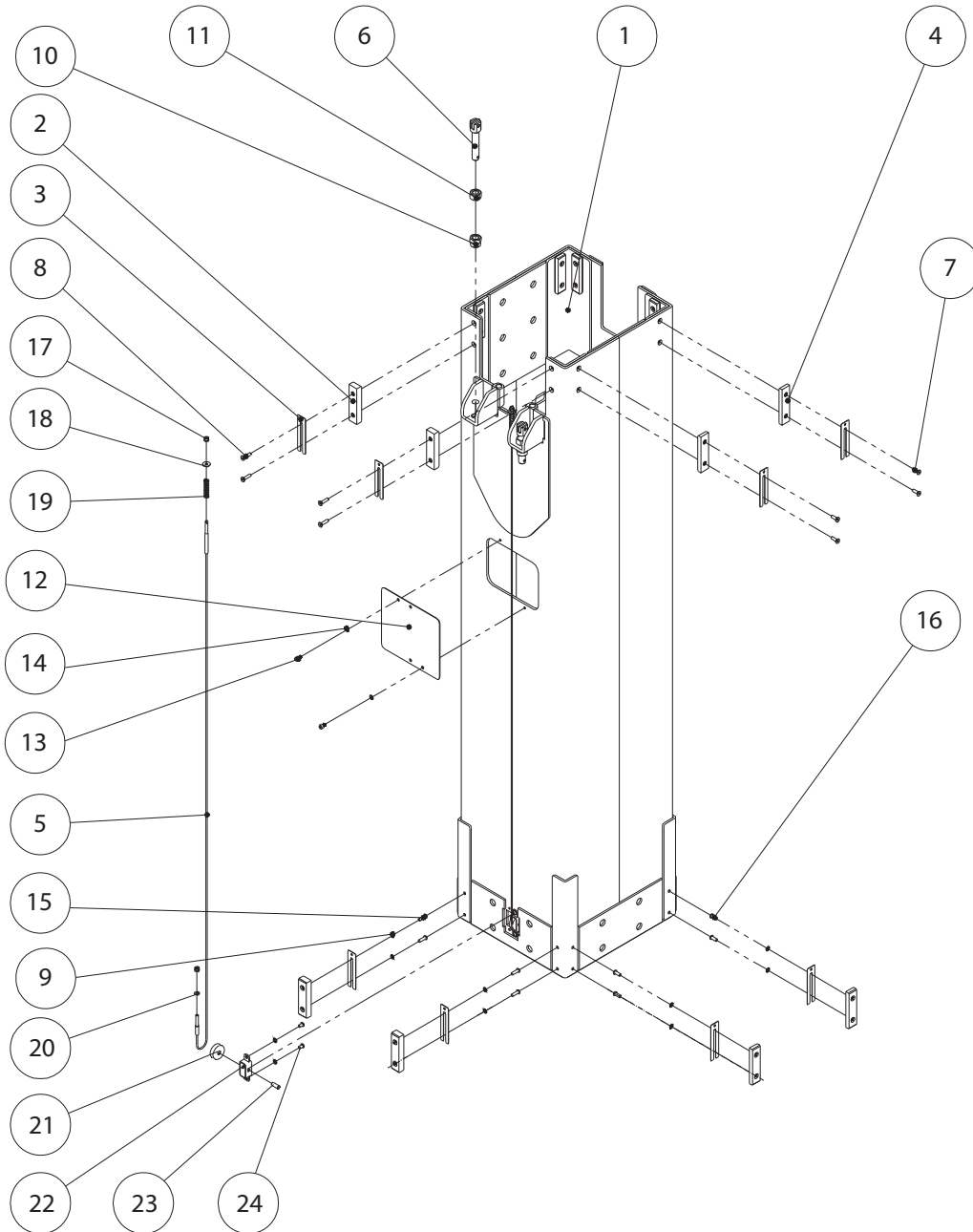


Figure 3-3 Bolt Sleeve 2 Assembly

Item	Part Number	Description	Qty.	Remark
1	AMWP81115-322100	Bolt Sleeve 2 Weldment	1	
2	AMWP81115-321200	Bolt Sleeve 1 Upper Block1	4	
3	AMWP81115-321001	Bolt Sleeve 1 Block Washer	16	
4	AMWP81115-321300	Bolt Sleeve 1 Upper Block 2	12	
5	AMWP81115-322450	Bolt Sleeve 2 Steel Wire Line	2	
6	AMWP81115-322001	Bolt Sleeve 2 Chain Screw	2	
7	GB/T 70.3-2000	Bolt M6×20	12	
8	GB/T 70.3-2000	Bolt M6×25	4	
9	GB/T 861.2-1987	Washer 6	20	
10	GB/T 6182-2000	Nut M16	2	
11	GB/T 6170-2000	Nut M16	2	
12	AMWP81115-322002	Bolt Sleeve 2 Plate	1	
13	GB/T 70.1-2000	Bolt M6×10	2	
14	GB/T 861.1-1987	Washer 6	2	
15	GB/T 70.2-2000	Bolt M6×20	4	
16	GB/T 70.2-2000	Bolt M6×16	12	
17	GB/T 6182-2000	Nut M6	4	
18	GB/T 96.1-2002	Washer 6	2	
19	AMWP81115-322403	Bolt Sleeve 2 Steel Wire Spring	2	
20	GB/T 97.1-2002	Washer 6	2	
21	AMWP81115-322401	Bolt Sleeve 2 Steel Wire Block	2	
22	AMWP81115-322440	Steel Wire Block Weldment	2	
23	AMWP81115-322402	Bolt Sleeve 2 Steel Wire Block Axis	2	
24	GB/T 70.2-2000	Bolt M6×10	2	

Figure 3-4 Bolt Sleeve 3 Assembly

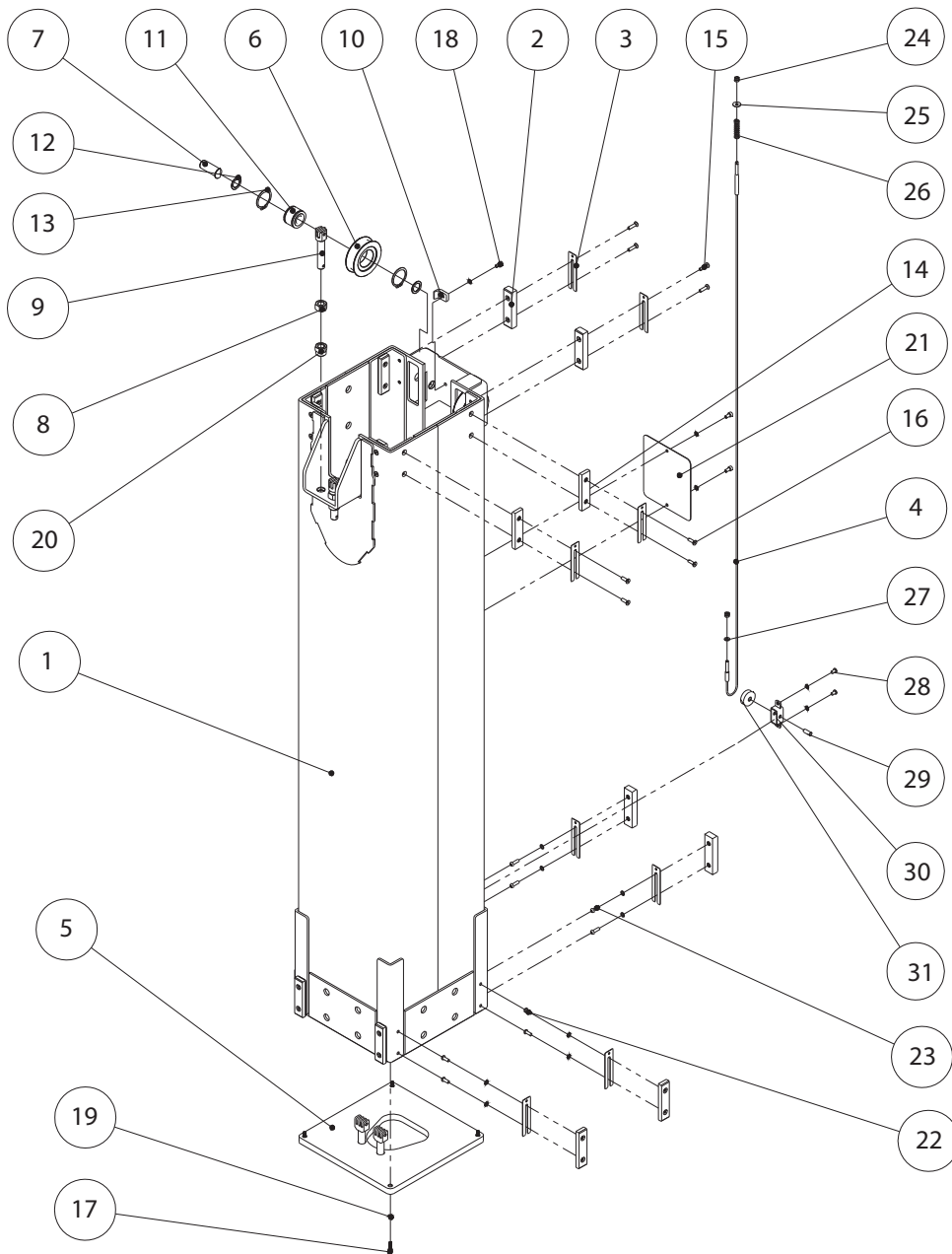


Figure 3-4 Bolt Sleeve 3 Assembly

Item	Part Number	Description	Qty.	Remark
1	AMWP81115-323100	Bolt Sleeve 3 Weldment	1	
2	AMWP81115-321200	Bolt Sleeve 1 Upper Block1	4	
3	AMWP81115-321001	Bolt Sleeve 1 Block Washer	16	
4	AMWP81115-322450	Bolt Sleeve 2 Steel WireLine	2	
5	AMWP81115-323200	Bolt Sleeve 3 Base Weldment	1	
6	AMWP81115-323001	Bolt Sleeve 3 Chain Wheel	2	
7	AMWP81115-323002	Bolt Sleeve 3 Chain Wheel Axis	2	
8	GB/T 6170-2000	Nut M16	2	
9	AMWP81115-322001	Bolt Sleeve 2 Chain Screw	2	
10	AMWP81115-323004	Bolt Sleeve 3 Chain Wheel Axis Plate	2	
11	SL045004PPB	Bearing(20X42X30)	2	
12	AMWP81115-323003	Bolt Sleeve3 Chain Wheel Washer	4	
13	GB/T 894.2-1986	Cover Circle 50	4	
14	AMWP81115-321300	Bolt Sleeve 1 Upper Block 2	12	
15	GB/T 70.3-2000	Bolt M6x25	4	
16	GB/T 70.3-2000	Bolt M6x20	12	
17	GB/T 70.1-2000	Bolt M6x20	4	
18	GB/T 70.1-2000	Bolt M6x12	4	
19	GB/T 861.2-1987	Washer 6	28	
20	GB/T 6182-2000	Nut M16	2	
21	AMWP81115-323005	Bolt Sleeve 3 Plate	1	
22	GB/T 70.2-2000	Bolt M6x16	12	
23	GB/T 70.2-2000	Bolt M6x20	4	
24	GB/T 6182-2000	Nut M6	4	
25	GB/T 97.1-2002	Washer 6	2	
26	AMWP81115-322403	Bolt Sleeve 2 Steel Wire Spring	2	
27	GB/T 96.1-2002	Washer 6	2	
28	GB/T 70.2-2000	Bolt M6x10	4	

Figure 3-4 Bolt Sleeve 3 Assembly

Item	Part Number	Description	Qty.	Remark
29	AMWP81115-322402	Bolt Sleeve 2 Steel WireBlock	2	
30	AMWP81115-322440	Steel Wire Block Weldment	2	
31	AMWP81115-322401	Bolt Sleeve 2 Steel Wire Block	2	

Figure 3-5 Bolt Sleeve 4 Assembly

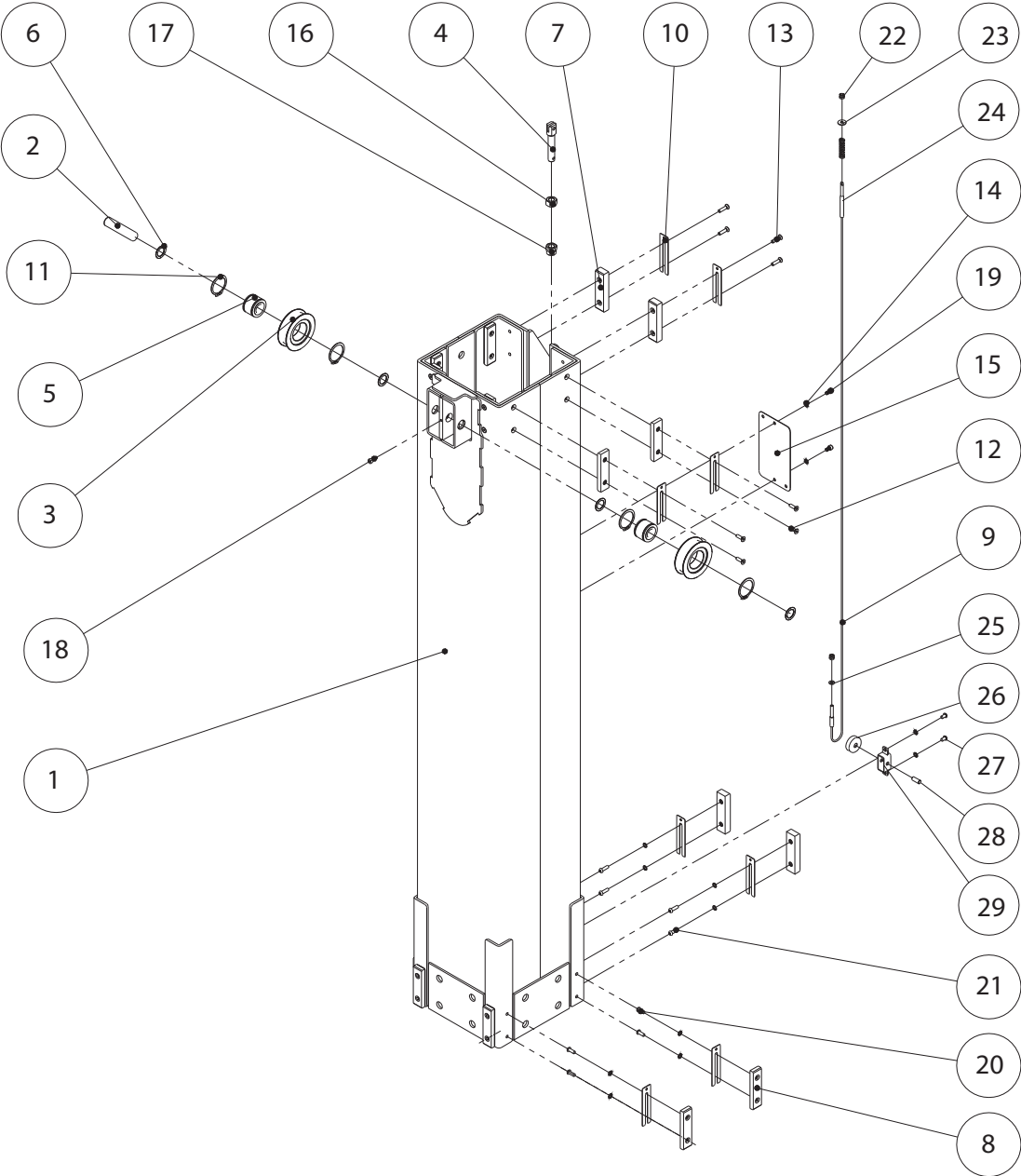


Figure 3-5 Bolt Sleeve 4 Assembly

Item	Part Number	Description	Qty.	Remark
1	AMWP81115-324100	Bolt Sleeve 4 Weldment	1	
2	AMWP81115-324001	Bolt Sleeve4 Chain Wheel Axis	1	
3	AMWP81115-323001	Bolt Sleeve3 Chain Wheel	2	
4	AMWP81115-324003	Bolt Sleeve 4 Chain Screw	2	
5	SL045004PPB	Bearing(20X42X30)	2	
6	AMWP81115-323003	Washer	4	
7	AMWP81115-321200	Bolt Sleeve1 Upper Block1	4	
8	AMWP81115-321300	Bolt Sleeve1 Upper Block2	12	
9	AMWP81115-322450	Bolt Sleeve 2 Steel Wire Line	2	
10	AMWP81115-321001	Bolt Sleeve1 Block Washer	16	
11	GB/T 894.2-1986	Cover Circle 50	4	
12	GB/T 70.3-2000	Bolt M8x25	12	
13	GB/T 70.3-2000	Bolt M10x35	4	
14	GB/T 861.2-1987	Washer 6	22	
15	AMWP81115-324002	Bolt Sleeve 4 Plate	1	
16	GB/T 6170-2000	Nut M14	2	
17	GB/T 6182-2000	Nut M14	2	
18	GB/T 70.1-2000	Bolt M6x16	1	
19	GB/T 70.1-2000	Bolt M6x10	2	
20	GB/T 70.2-2000	Bolt M6x16	12	
21	GB/T 70.2-2000	Bolt M6x25	4	
22	GB/T 6182-2000	Nut M6	4	
23	GB/T 97.1-2002	Washer 6	2	
24	AMWP81115-322403	Bolt Sleeve 2 Steel Wire Spring	2	
25	GB/T 96.1-2002	Washer 6	2	
26	AMWP81115-322401	Bolt Sleeve 2 Steel Wire Block	2	
27	GB/T 70.2-2000	Bolt M6x10	4	
28	AMWP81115-322402	Bolt Sleeve 2 Steel WireBlock Axis	2	
29	AMWP81115-322440	Steel Wire Block Weldment	2	

Figure 3-6 Bolt Sleeve 5 Assembly

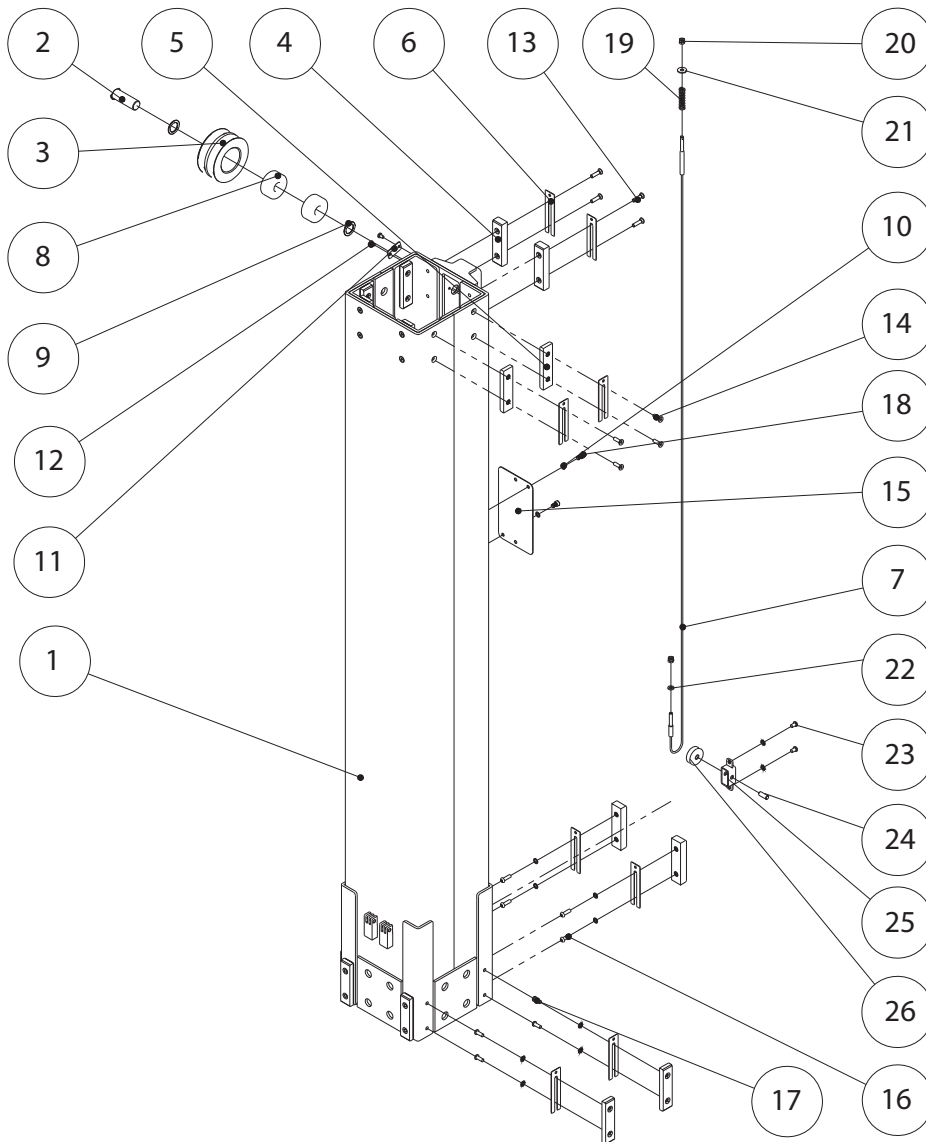


Figure 3-6 Bolt Sleeve 5 Assembly

Item	Part Number	Description	Qty.	Remark
1	AMWP81115-325100	Bolt Sleeve 5 Weldment	1	
2	AMWP81115-325001	Bolt Sleeve 5 Chain Wheel Axis	1	
3	AMWP81115-325002	Bolt Sleeve 5 Chain Wheel	1	
4	AMWP81115-321200	Bolt Sleeve 1 Upper Block 1	4	
5	AMWP81115-321300	Bolt Sleeve 1 Upper Block 2	12	
6	AMWP81115-321001	Bolt Sleeve 1 Block Washer	16	
7	AMWP81115-322450	Bolt Sleeve 2 Steel Wire Line	2	
8	GB/T276-1994	Bearing 3304 (50X20X22.2)	2	
9	AMWP81115-323003	Washer	2	
10	GB/T 861.2-1987	Washer 6	22	
11	AMWP81115-325003	Bolt Sleeve 5 Plate	1	
12	GB/T 818-2000	Bolt M5×14-H	2	
13	GB/T 70.3-2000	Bolt M6×25	4	
14	GB/T 70.3-2000	Bolt M6×20	12	
15	AMWP81115-324002	Bolt Sleeve 4 Plate	1	
16	GB/T 70.2-2000	Bolt M6×20	4	
17	GB/T 70.2-2000	Bolt M6×16	12	
18	GB/T 70.1-2000	Bolt M6×10	2	
19	AMWP81115-322403	Bolt Sleeve 2 Steel Wire Spring	2	
20	GB/T 6182-2000	Nut M6	4	
21	GB/T 97.1-2002	Washer 6	2	
22	GB/T 96.1-2002	Washer 6	2	
23	GB/T 70.2-2000	Bolt M6×10	4	
24	AMWP81115-322402	Bolt Sleeve 2 Steel Wire Block Axis	2	
25	AMWP81115-322440	Wire Block Support Weldment	2	
26	AMWP81115-322401	Bolt Sleeve 2 Steel WireBlock	2	

Figure 3-7 Bolt Sleeve 6 Assembly

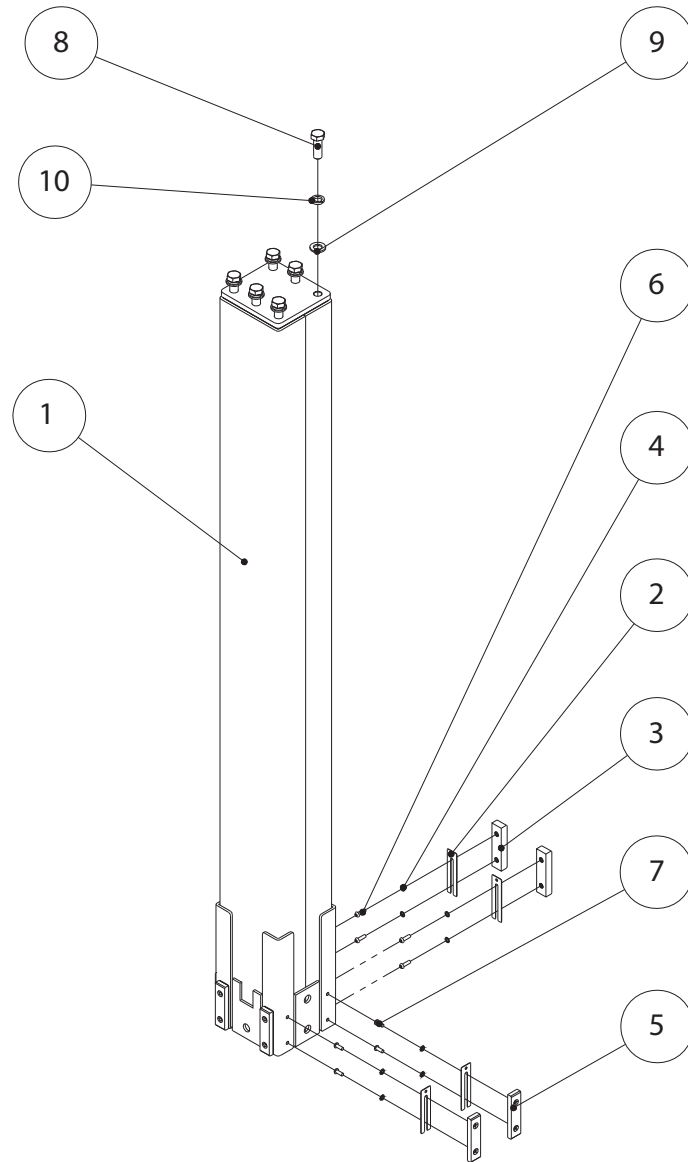


Figure 3-7 Bolt Sleeve 6 Assembly

Item	Part Number	Description	Qty.	Remark
1	AMWP81115-326100	Bolt Sleeve 6 Weldment	1	
2	AMWP81115-321001	Bolt Sleeve 1 Block Washer	8	
3	AMWP81115-321200	Bolt Sleeve 1 Upper Block1	2	
4	GB/T 861.2-1987	Washer 6	16	
5	AMWP81115-321300	Bolt Sleeve 1 Upper Block2	6	
6	GB/T 70.2-2000	Bolt M6x20	4	
7	GB/T 70.2-2000	Bolt M6x16	12	
8	GB/T 5786-2000	Nut M16x1.5x45	6	
9	GB/T 97.1-2002	Washer 16	6	
10	GB/T 93-1987	Spring Washer 16	6	

Platform Assembly

Section 4

Figure 4-1 Platform Assembly

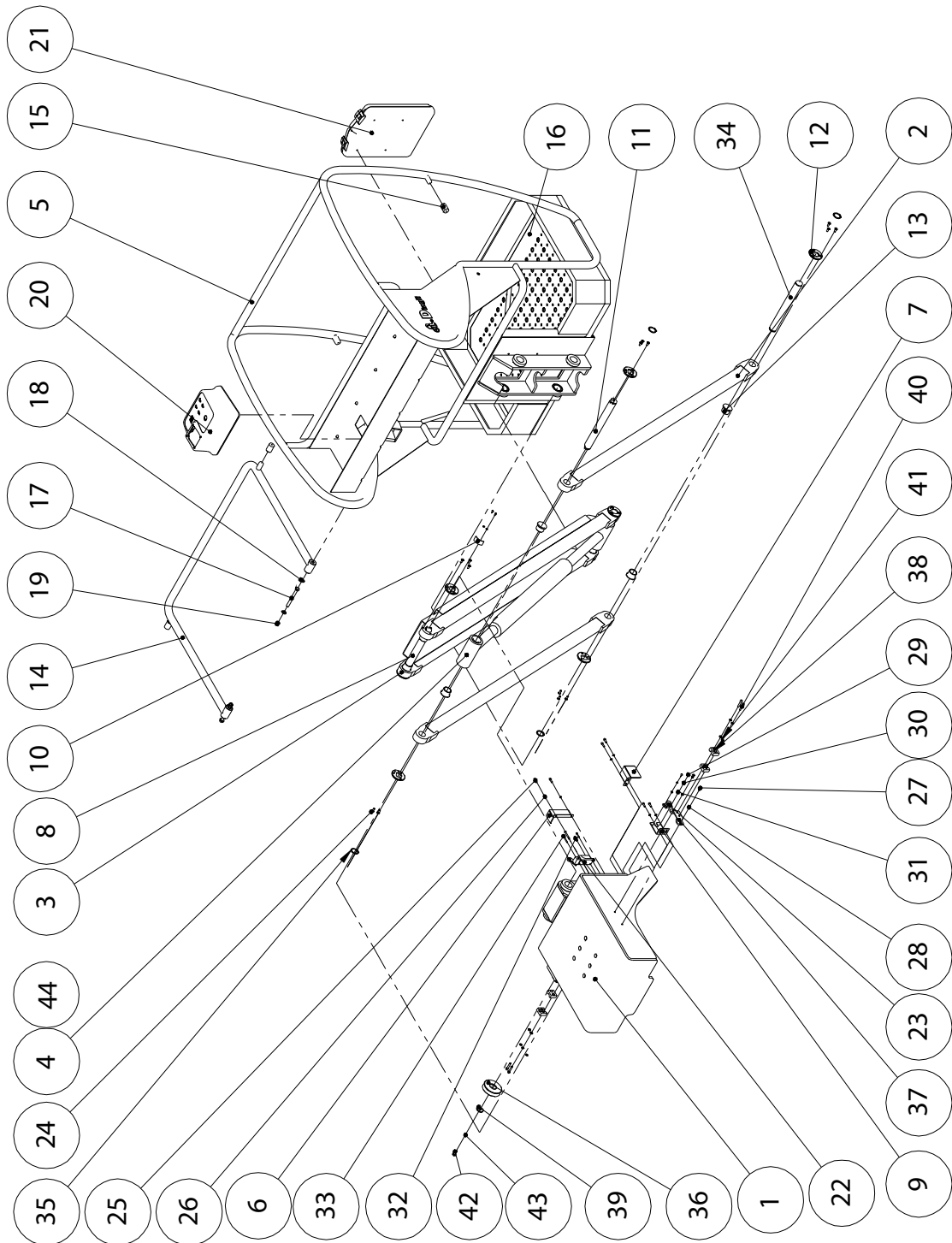


Figure 4-1 Platform Assembly

Item	Part Number	Description	Qty.	Remark
1	AMWP81115-411000	Platform Supporting Weldment	1	
2	AMWP81115-413000	Staff Weldment	2	
3	AMWP81115-412000	Staff Weldment	1	
4	AMWP81115-415000	Oil Tank	1	
5	AMWP81115-414000	Platform Weldment	1	
6	AMWP81115-418000	Location Switch Shield	1	
7	AMWP81115-417000	Potentiometer Shield	1	
8	AMWP81115-410001	Axis	2	
9	AMWP81115-410005	Potentiometer Support	1	
10	AMWP81115-410004	Switch Plate	1	
11	AMWP81115-410003	Axis 2	1	
12	AMWP81115-410002	Lock Tray	8	
13		Bearing 42X34X30X25	8	
14	AMWP81115-416000	Doorstop Weldment	1	
15	AMWP81115-410007	Rubber Washer	4	
16	AMWP81115-410006	Plate	1	
17	GB/T 5781-2000	Bolt M10×100	2	
18	GB/T 97.1-2002	Washer 10	4	
19	GB/T 6182-2000	Nut M14	2	
20	AMWP81115-720100	Platform Controller	1	
21	GTBZ16A-43500	Handbook Box	1	
22	AZ8104	Journey Switch	1	
23		3358A MB Angle Localizer	1	
24	GB/T 70.3-2000	Bolt M6×16	24	
25	GB/T 70.1-2000	Bolt M5×16	6	
26	GB/T 93-1987	Spring Washer 5	6	
27	GB/T 70.1-2000	Bolt M6×10	2	
28	GB/T 93-1987	Spring Washer 6	8	
29	GB/T 70.1-2000	Bolt M4×8	4	

Figure 4-1 Platform Assembly

Item	Part Number	Description	Qty.	Remark
30	GB/T 93-1987	Spring Washer 4	4	
31	GB/T 97.1-2002	Washer 4	2	
32	GB/T 70.1-2000	Bolt M4×20	2	
33	GB/T 70.1-2000	Bolt M4×40	2	
34	AMWP81115-410008	Axis 3	1	
35	GB/T 894.1-1986	Cover Circle 30	4	
36	AMWP81115-410009	Block	1	
37	AMWP81115-410010	Seat	1	
38	AMWP81115-410011	Clamp (12)	3	
39	AMWP81115-114006	Washer2	1	
40	GB/T 70.1-2000	Bolt M6×30	6	
41	GB/T 97.1-2002	Spring Washer 6	6	
42	GB/T 5781-2000	Bolt M8×20	1	
43	GB/T 93-1987	Spring Washer 8	1	
44	4630500-839N	Dust-Proof Ring	1	
	GB1235-76	O Ring 60X3.1	1	
	4610300-605	U-Cup 40X50X6	1	
	GB1235-76	O Ring 35X3.1	1	
	ZCH55-14.8	Wear Guides 55X50X14.8	1	
	4605400-601	U-Cup 55X45X6	1	

Section
5

Hydraulic Ram

Figure 5-1 Hydraulic Ram Assembly

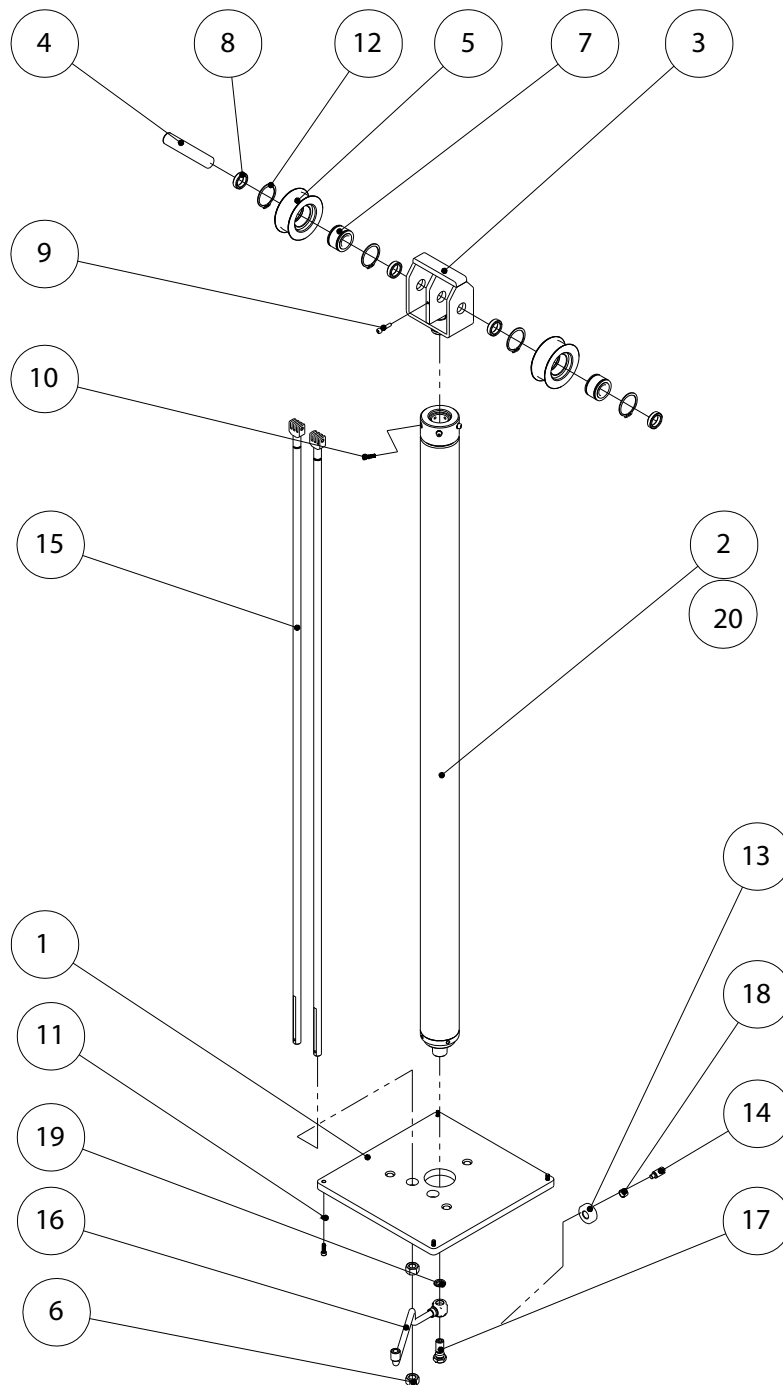


Figure 5-1 Hydraulic Ram Assembly

Item	Part Number	Description	Qty.	Remark
1	AMWP81115-531100	Setting Bord Weldment	1	
2	AMWP81115-531200	Lift Cylinder	1	
3	AMWP81115-531300	Cylinder Towline Weldment	1	
4	AMWP81115-531002	Cylinder Towline Axis	1	
5	AMWP81115-531005	Cylinder Towline	2	
6	GB/T 6170-2000	Nut M16	4	
7	SL045005PPB	Bearing(25X47X30)	2	
8	AMWP81115-531001	Tank Towline Washer	4	
9	GB/T 70.1-2000	Bolt M6x30	1	
10	GB/T 70.1-2000	Bolt M6x20	9	
11	GB/T 861.2-1987	Washer 10	4	
12	GB/T 894.2-1986	Cover Circle 30	4	
13	AMWP81115-531007	Cylinder Idler Wheel	3	
14	AMWP81115-531008	Cylinder Idler Wheel Axis	3	
15	AMWP81115-531400	Cylinder Chain Screw Weldment	2	
16	AMWP81115-531500	Hard Vitta Weldment	1	
17	AMWP81115-531007	Vitta Bolt	1	
18		Bearing (16X14X10)	3	
19		Assembled Washer (24/22X16X3)	1	
20	DH45	Dust-Proof Ring	1	
	4610300-605	U-Cup 45X55X6	1	
	GB1235-76	O Ring 70X3.1	1	
	ZCH 65-20	Wear Guides 65X60X20	1	
	GB1235-76	O Ring 35x3.1	1	
	R15M300-600002	Wear Guides 65X55X2.5	1	
	16477CC-601	U-Cup 65X55X6	1	